

# EZ17e

## Tracked Zero Tail Excavators



**WACKER  
NEUSON**  
*all it takes!*



### The First Electric Mini-Excavator from Wacker Neuson

Our first all-electric, zero tail mini-excavator with no rear overhang. "Mini" really only refers to the dimensions, because when it comes to power and endurance, the EZ17e is in no way inferior to its brothers with combustion engines. Due to its zero emissions, it is ideal for indoor applications, as well as in areas where exhaust fumes and noise are restricted. Thanks to the powerful lithium ion battery, it can be used for a typical workday and, if necessary, continue to be used in stationary operation connected to a power source. Due to its patented battery technology with integrated battery heating, the unit can be charged at any power source (100 to 415 V). This can be done without additional extra work being required and independently of the ambient temperature.

- Connection via high-voltage current or via adapter to a household socket, charging also possible during application on the construction site
- Application for an entire workday - depending of the intensity of the application without an interim charge or with stationary operation connected to a power source
- Several hours of battery life thanks to an output of 23.4 kWh and the patented, self-heating battery system
- Reduced maintenance and operating costs thanks to the elimination of many service points compared to conventional machines
- Ideal for application in noise-sensitive or emissions-restricted areas

## EZ17e Technical specifications

### Operating data

Shipping weight min.	1,681 kg
Operating weight	1,797 - 2,226 kg
Operating weight min.	1,797 kg
Breakout force max.	18.7 kN
Digging depth max.	2,490 mm
Digging radius max.	4,060 mm

### Engine / Motor Electric engine

Rated voltage	48 V
Rated performance	16.5 kW
Capacity	23.4 kWh
RPM / speed	2,200 rpm
Engine performance	16.5 kW

### Battery

Rated voltage	48 V
Current Continuous current	220 A
Current Maximum current, short-term	350 A

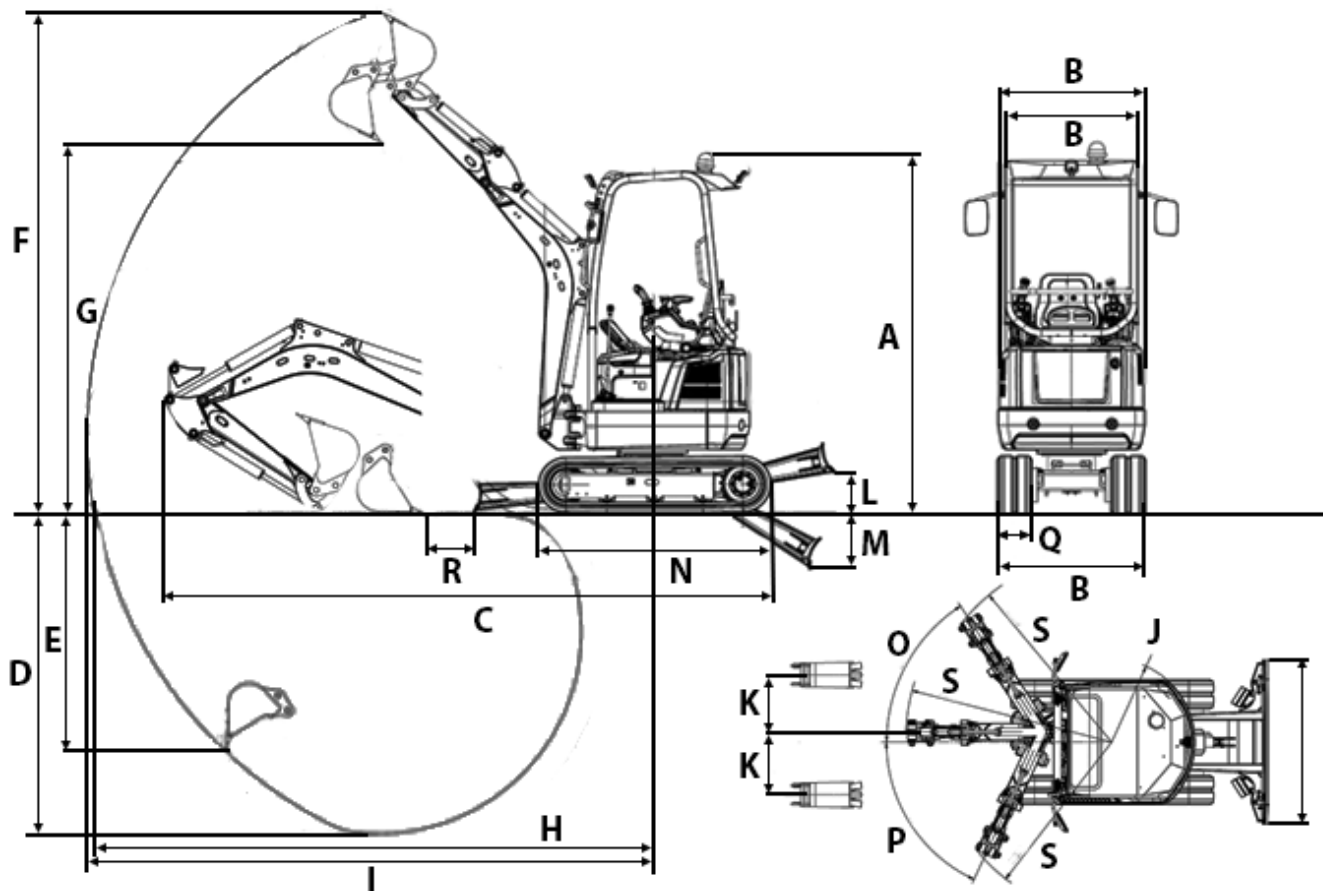
### Hydraulic system

Duty pump	Variable displacement pump
Flow rate	39.6 l/min
Operating pressure for working and traction hydraulics	240 bar

### Undercarriage

Travel speed max.	4.8 km/h
-------------------	----------

## EZ17e Dimensions



A	Height	2,489 mm
B	Width Cabin	884 mm
B	Width Revolving superstructure	980 mm
B	Width Travel gear extended	1,300 mm
C	Transport length (short shovel arm)	3,584 mm
C	Transport length (long shovel arm)	3,554 mm
D	Digging depth max. (short shovel arm)	2,323 mm
D	Digging depth max. (long shovel arm)	2,483 mm
E	Insertion depth max. vertical (short shovel arm)	1,710 mm
E	Insertion depth max. vertical (long shovel arm)	1,860 mm
F	Insertion height max. (short shovel arm)	3,465 mm
F	Insertion height max. (long shovel arm)	3,579 mm
G	Dump height max. (short shovel arm)	2,439 mm
G	Dump height max. (long shovel arm)	2,553 mm
H	Digging radius max. (short shovel arm)	3,900 mm
H	Digging radius max. (long shovel arm)	4,050 mm
I	Range max. ground range (short shovel arm)	3,848 mm
I	Range max. ground range (long shovel arm)	4,001 mm
J	Rear swivel radius min.	660 mm
K	Arm displacement max. on middle of bucket right	533 mm

K	Arm displacement max. on middle of bucket left	418 mm
L	Lift height max. dozer blade above subgrade	271 mm
M	Scraping depth max. dozer blade below subgrade	390 mm
N	Length Travel gear	1,607 mm
O	Turning angle max. right	57 °
P	Turning angle max. left	65 °
Q	Chain width	230 mm
R	Distance Bucket, dozer blade (short shovel arm)	259 mm
R	Distance Bucket, dozer blade (long shovel arm)	331 mm
S	Boom slewing radius Middle	1,635 mm
S	Boom slewing radius right	1,519 mm
S	Boom slewing radius left	1,372 mm
--	Height Dozer blade	230 mm

DS= dipper stick

Please note: that product availability can vary from country to country. It is possible that information / products may not be available in your country. More detailed information on engine power can be found in the operator's manual; the stated power may vary due to specific operating conditions. Subject to alterations and errors excepted. Applicable also to illustrations.

Copyright © 2020 Wacker Neuson SE.